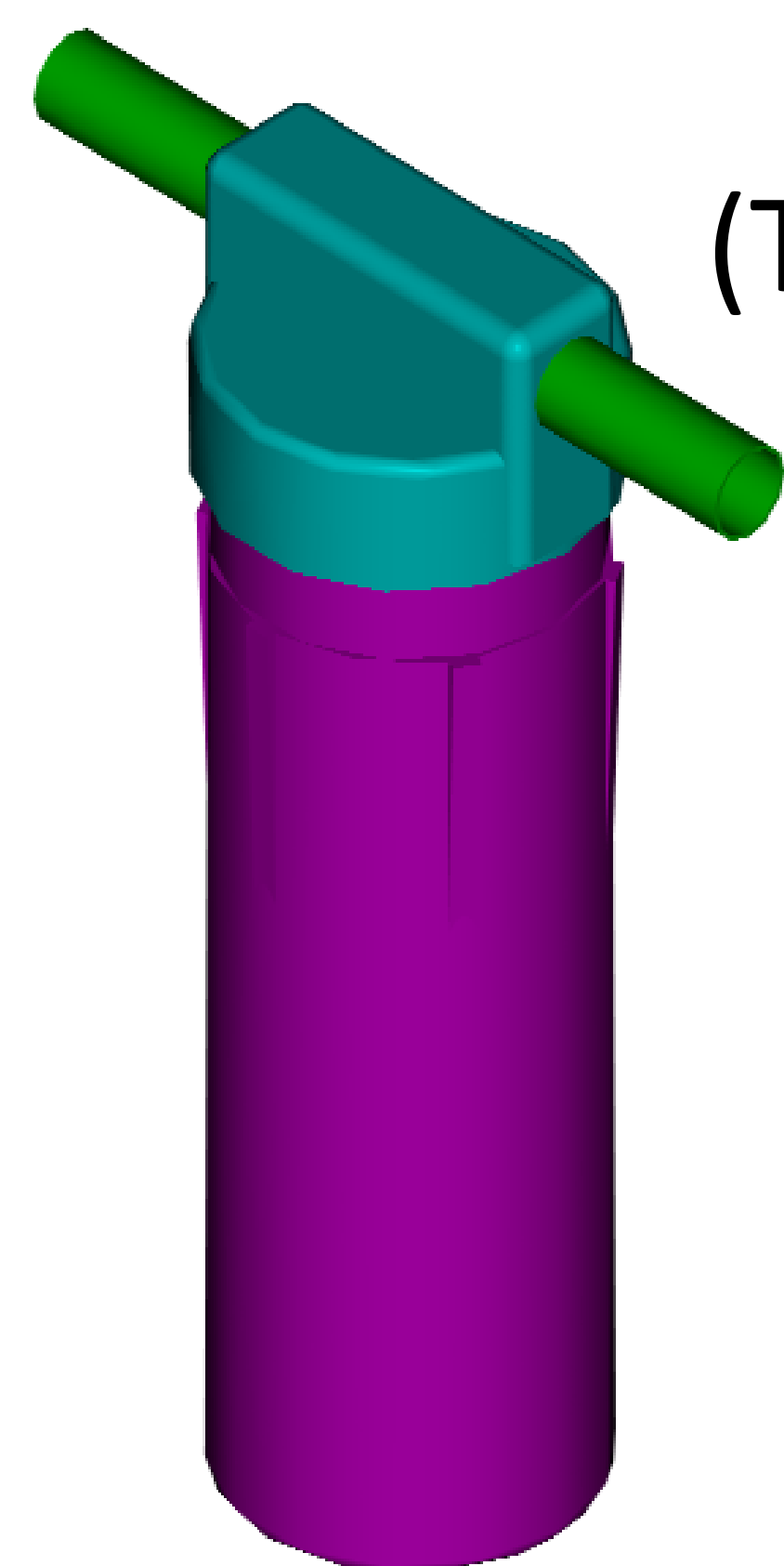
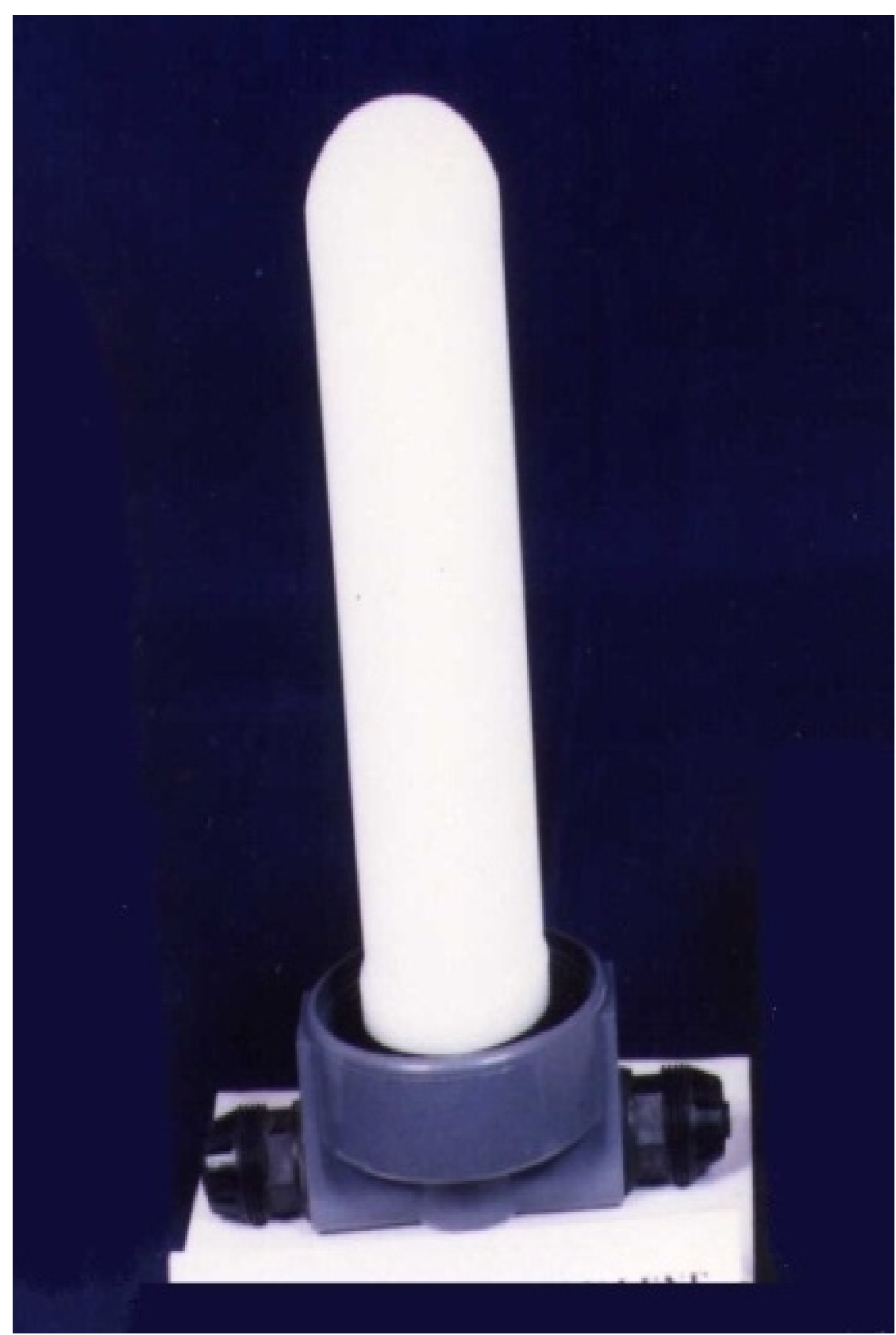
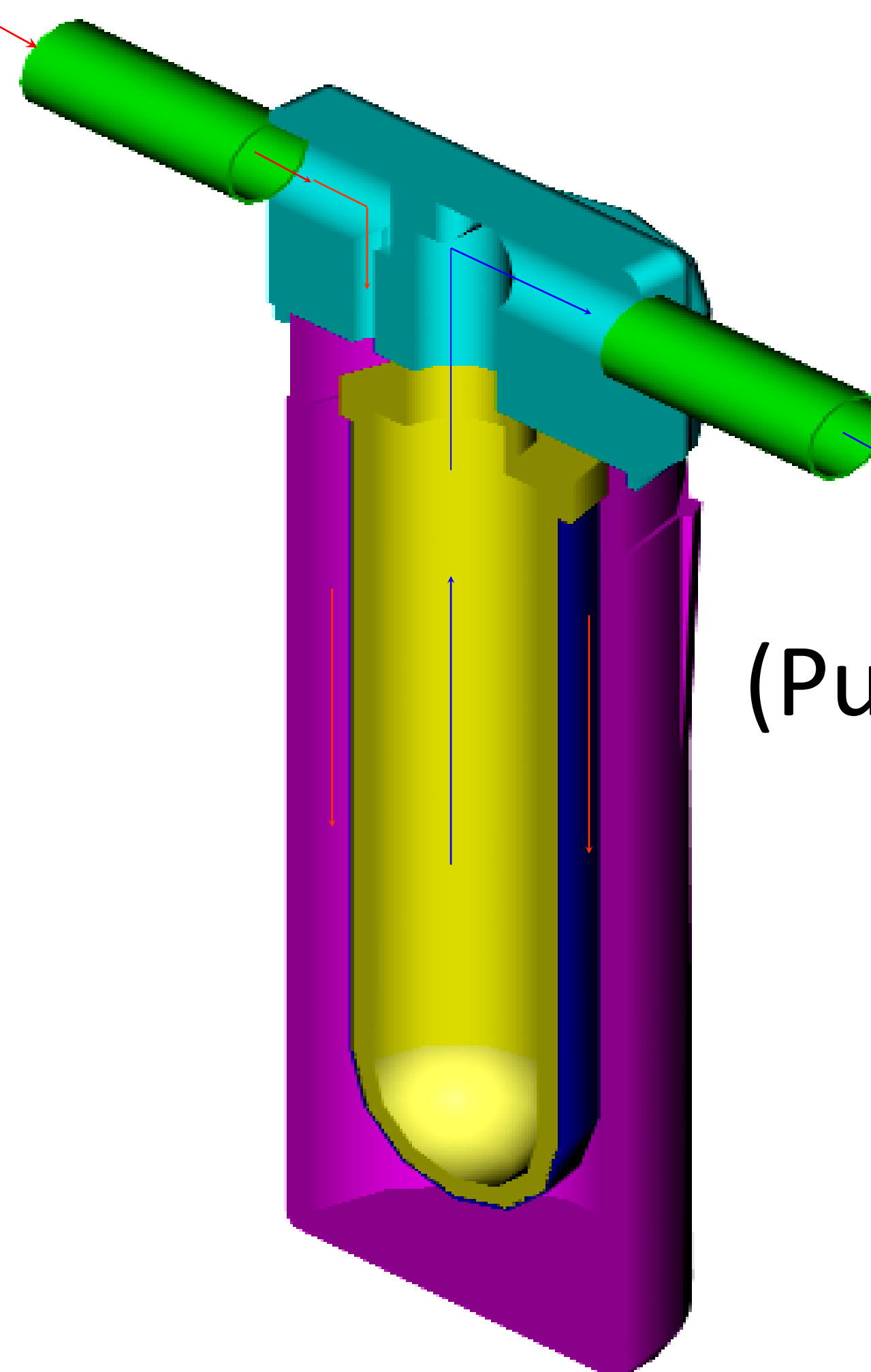


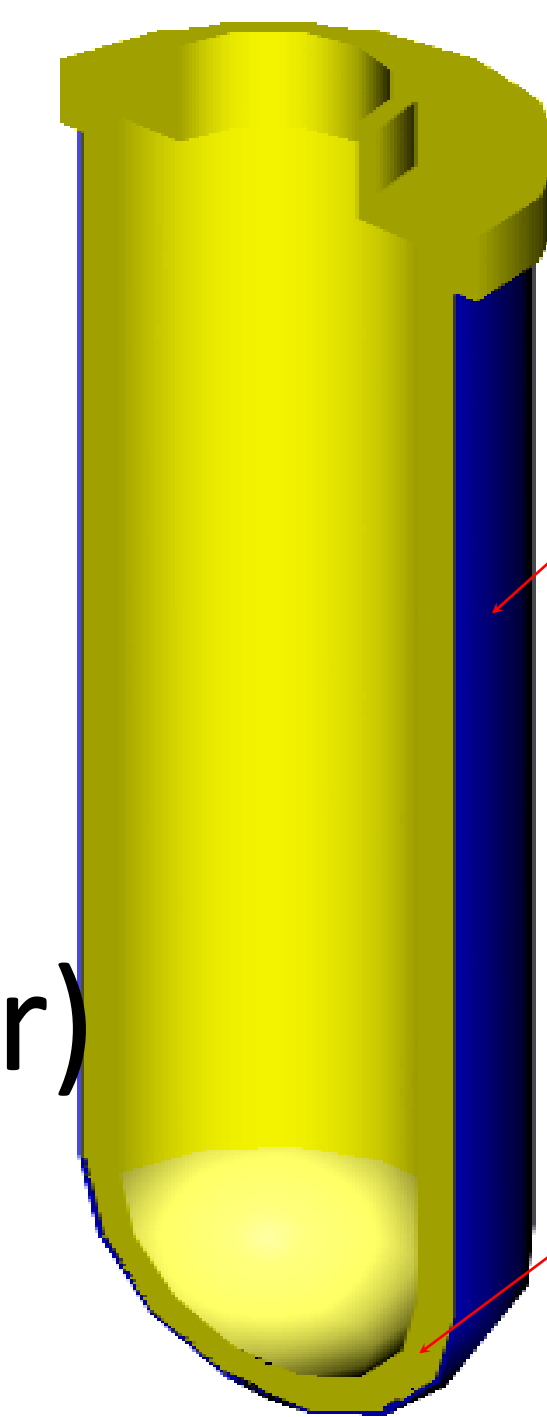
DOMESTIC WATER PURIFIER BASED ON ULTRAFILTRATION POLYSULFONE MEMBRANE



Inlet
(Tap water)



Outlet
(Purified water)



Polysulfone
Membrane

Polypropylene
candle

Salient Features

- No electricity and no chemical required
- Removes bacteria to the extent of $> 99.99\%$ (4 log scale)
- Removes microorganism, colour, odour, suspended solids and organics
- No dead bacteria in product water
- 40 litres of pure water per day at about 5 psig head
- Pressure head 5 to 35 psig

Installation & Maintenance

- Easy to clean, wipe with soft sponge clean water flow reduces
- Keep membrane candle wet always
- Do not clean with sharp objects & cut the membrane on candle



Installation with portable stand
Innovation at AKRUTI-NIRMITEE



Cleaning DWP at AKRUTI-PARIVARTAN

❖ For technology transfer details, please contact headttcd@barc.gov.in;



Bhabha Atomic Research Centre

www.barc.gov.in